

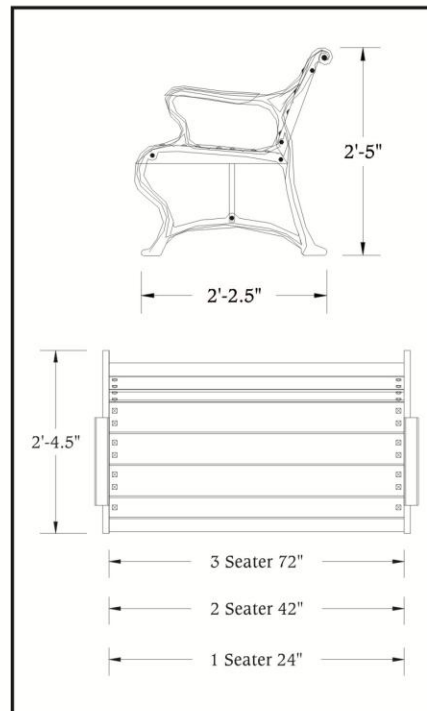
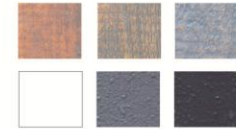
BENCHES



Made of high quality fibreglass composite, the back and seat are realistic wood and grain produced with lancer's proprietary recreated materials. The end pieces, providing legs and arm supports are cast aluminum.

Ideal for outdoor extreme weather conditions. Wood finishes are available in Antique Oak, Wenge and Mahogany finishes. End pieces are available in Georgian White, Steel gray, Graphite gray and Black.

Available color shades :



MONTEGO SEATING SERIES

